



# DAMEN MULTI CAT<sup>®</sup> 1205

"YN 516017-18-19"

## GENERAL

YARD NUMBER	516017-18-19
BASIC FUNCTIONS	General purpose workboat, anchor handling
CLASSIFICATION	Bureau Veritas I ✕ HULL • MACH Special Service/Workboat Sheltered Area

## DIMENSIONS

LENGTH O.A.	12.52 m
BEAM O.A.	4.96 m
DEPTH AT SIDES	1.80 m
DRAUGHT AFT	1.55 m

## TANK CAPACITIES

FUEL OIL	6.1 m <sup>3</sup>
----------	--------------------

## PERFORMANCES

BOLLARD PULL AHEAD	3.5 ton
SPEED	7.5 knots

## PROPULSION SYSTEM

MAIN ENGINES	2x Volvo D5A TA
TOTAL POWER	204 bkW (274 bhp) at 2300 rpm
GEARBOXES	Twin Disc MG 5050 SC (Red. 3:1)
PROPELLERS	Two bronze fixed pitch propellers, 770 mm diameter, make Promarin
NOZZLES	Two Optima 770 mm Van de Giessen
ENGINE/GEARBOX CONTROLS	Kobelt, cable type
STEERING GEAR	Powered hydraulic 2x 45°, rudder indicator

## AUXILIARY EQUIPMENT

BILGE PUMP	SIHI VW20 24 m <sup>3</sup> /hr at 10 m.w.g.
BATTERY SET	2x 24 V 200 Ah each

## DECK LAY-OUT

ANCHOR	48 kg Pool (High Holding Power)
CHAIN	10 m short link, 13 mm U2/Q2 (Class)
DECK CRANE	HLM 10-2S 1.0 ton at 8.4 m
DECK WINCH	Kraaijeveld, pull 7.5 ton at 5 m/min.
TOWING BITT	Single pole on aft deck
BOW ROLLER	SWL 17 ton
Ø TOWING HOOK	Disc type

## ACCOMMODATION

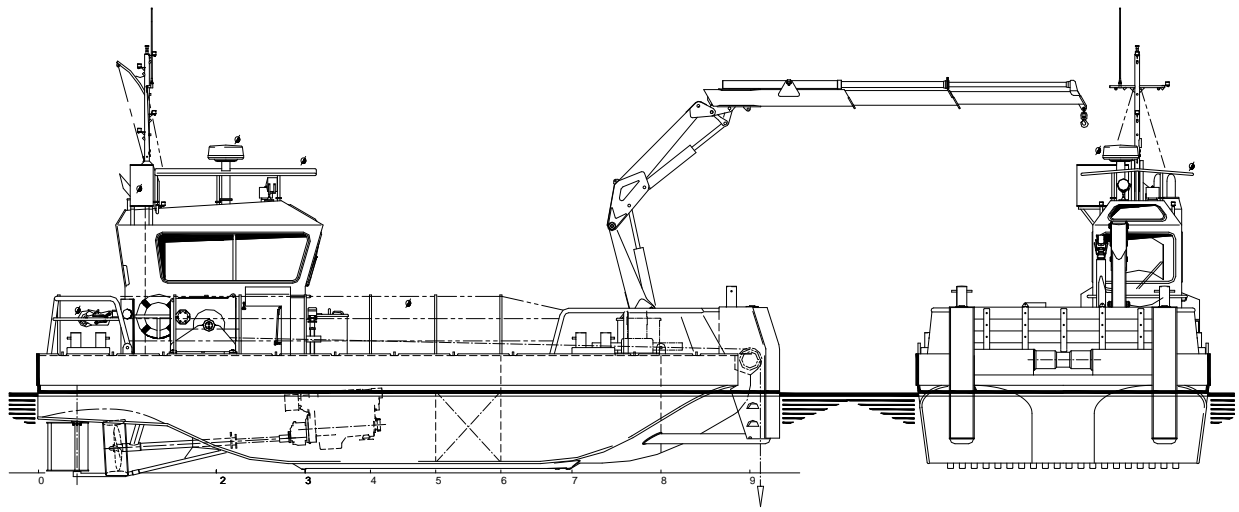
Wheelhouse with dashboard and settee.  
Below deck a store is arranged.

## NAUTICAL AND COMMUNICATION EQUIPMENT

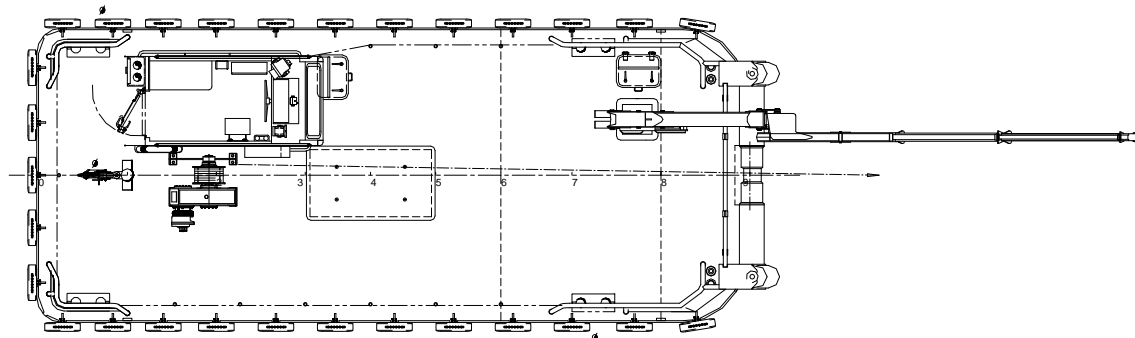
SEARCHLIGHT	Den Haan 170 W 24 V
HORN	Ongaro
Ø RADAR SYSTEM	Furuno 1835
GPS NAVIGATOR	Furuno GP-32
Ø COMPASS	Iris Hand held
Ø ECHOSOUNDER	Furuno LS-6100
VHF	Sailor 6248

## COMPLETE VESSEL ON STOCK

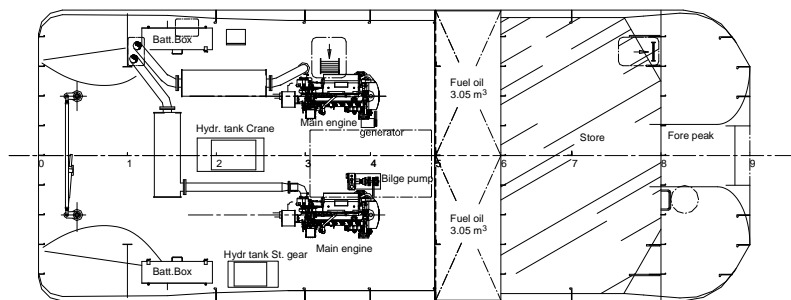
\* PHOTOGRAPH SHOWS SIMILAR VESSEL / Ø = OPTIONAL EQUIPMENT



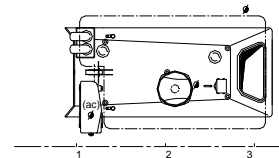
Maindeck



Below Maindeck



Topdeck



# DAMEN MULTI CAT<sup>®</sup> 1205

"YN 516017-18-19"

## DAMEN

DAMEN SHIPYARDS GORINCHEM

Member of the DAMEN SHIPYARDS GROUP



Industrieterrein Avelingen West 20  
4202 MS Gorinchem

P.O. Box 1  
4200 AA Gorinchem  
The Netherlands

phone +31 (0)183 63 99 11  
fax +31 (0)183 63 21 89

info@damen.com  
www.damen.com