



## DAMEN STAN TUG® 1004

"YN 501109-10-11-12"

### GENERAL

YARD NUMBER	501109-10-11-12
BASIC FUNCTIONS	Towing and mooring operations, passengers transport and pilot services
CLASSIFICATION	Bureau Veritas
PAINTING	1 ✕ HULL • MACH Seagoing Launch Epoxy paint system

### DIMENSIONS

LENGTH O.A.	10.67 m
BEAM (INCL. FENDERS)	4.52 m
DEPTH AT SIDES	2.15 m
DISPLACEMENT (98% CONSUMABLES)	30 ton
DRAUGHT AFT (APPROX.)	1.7 m

### TANK CAPACITIES (APPROX.)

FUEL OIL	1.62 m <sup>3</sup>
FRESH WATER	0.21 m <sup>3</sup>
SEWAGE	0.25 m <sup>3</sup>

### PERFORMANCES

BOLLARD PULL	4.1 ton(m)
SPEED	8.3 knots

### PROPULSION SYSTEM

MAIN ENGINE	Volvo D9 MH
TOTAL POWER	221 bKW (296 bhp) at 1800 rpm
GEARBOXES/RATIO	Twin Disc MG 5091 / 4.50:1
PROPELLER	Kaplan fixed pitch, 1050 mm diam.
NOZZLE	Van de Giessen 'Optima' with stainless steel inner side
ENGINE CONTROL	Volvo EVA
RUDDER	double plate high performance
STEERING GEAR	Powered-hydraulic 2x 50° + rudder indicator
Ø BOWTHRUSTER	24 V

### AUXILIARY EQUIPMENT

BATTERY SETS	2x 24 V 230 Ah, change over facility
ALTERNATORS	2x 70A main engine driven
ALARM SYSTEM	Engines, gearboxes + bilge alarm
BILGE/FIRE FIGHTING SYSTEM	Electrical driven Azcuc CA50/2A 9 m <sup>3</sup> /hr with connection to hydrants in engine room and on deck hand operated emergency bilge pump
FUEL OIL SYSTEM	Water separators, filters + SOS valve
COOLING SYSTEM	Closed cooling system (cooling channels)
SANITARY/FRESH WATER SYSTEM	Speck 24V pressure set, Rheinstrom 24V sewage discharge pump
Ø ENGINE ROOM VENTILATION	Mechanical ventilation, 900 m <sup>3</sup> /hr
FIRE EXTINGUISHERS	2x 5 kg CO <sub>2</sub> and 2x 6 kg dry powder

### DECK LAY-OUT

ANCHOR WINCH	Electrically driven 24V
TOWING HOOK	Mampaey Disc type, 7 ton SWL
SIDE/STERN FENDER	Rubber D-fender 125x125 mm
PUSH BOW	Cylindrical rubber fender Ø 380 mm

### ACCOMMODATION

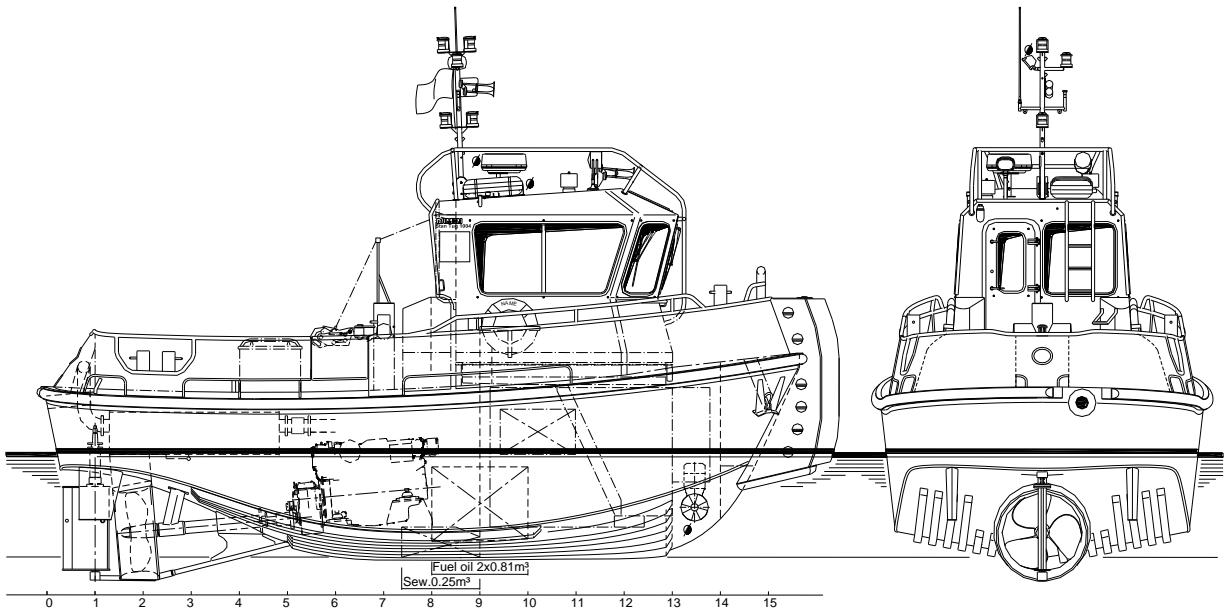
The wheelhouse is resiliently mounted to reduce noise levels. The wheelhouse and below deck accommodation are completely insulated and finished with durable modern linings and composite/synthetic floor. Wheelhouse with a settee for two persons, a table, wash basin and a helmsman seat. Windows are fitted in aluminium frames. Below deck a toilet, two Ø lockers and two Ø berths are fitted.

### NAUTICAL AND COMMUNICATION EQUIPMENT

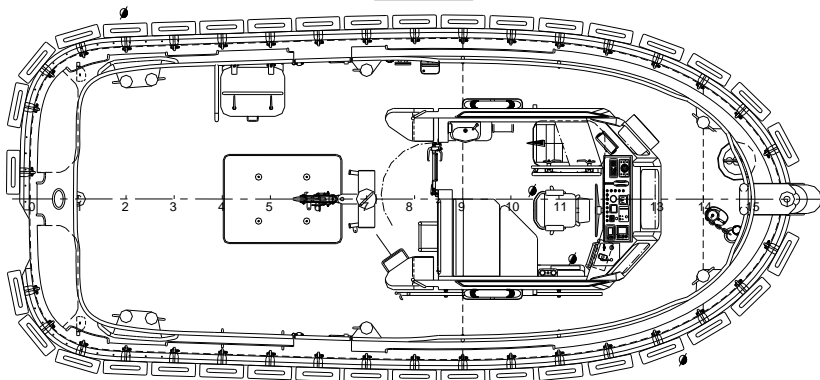
SEARCHLIGHT	Den Haan 250 W 24V
Ø RADAR	Furuno FR 1835
FLUXGATE COMPASS	Radio Zeeland, Sigma 345
GPS	Furuno GP-32
ECHO SOUNDER	Furuno LS 6100
VHF RADIO TELEPHONE	Sailor 6248, 25 W
NAVIGATION LIGHTS	Navigation lights incl. towing light
FLOODLIGHT	150 Watt on aft deck

### COMPLETE VESSEL ON STOCK

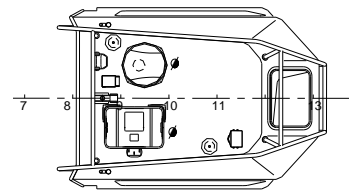
\* PHOTOGRAPH SHOWS SIMILAR VESSEL / Ø = OPTIONAL EQUIPMENT



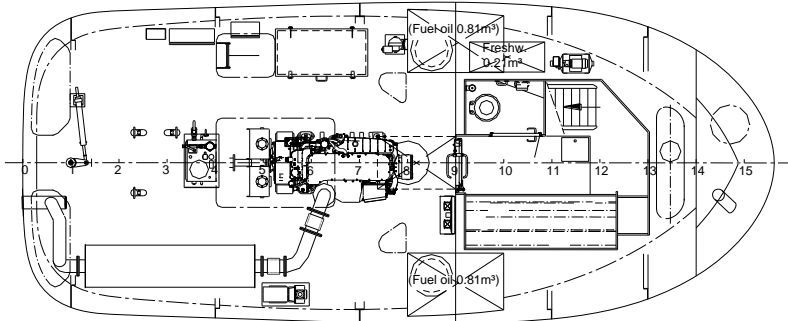
Maindeck



Topdeck



Below Maindeck



# DAMEN STAN TUG<sup>®</sup> 1004

"YN 501109-10-11-12"

## DAMEN

DAMEN SHIPYARDS GORINCHEM

Member of the DAMEN SHIPYARDS GROUP



Industrieterrein Avelingen West 20  
4202 MS Gorinchem

P.O. Box 1  
4200 AA Gorinchem  
The Netherlands

phone +31 (0)183 63 99 11  
fax +31 (0)183 63 21 89

info@damen.com  
www.damen.com